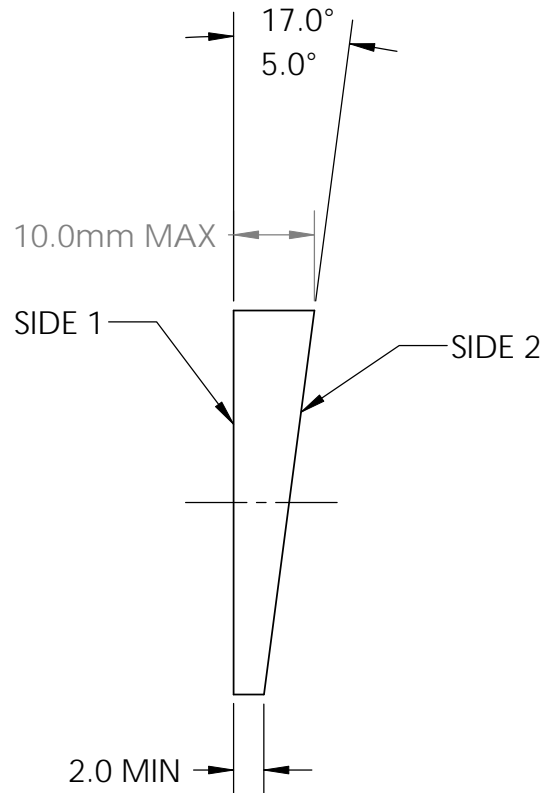
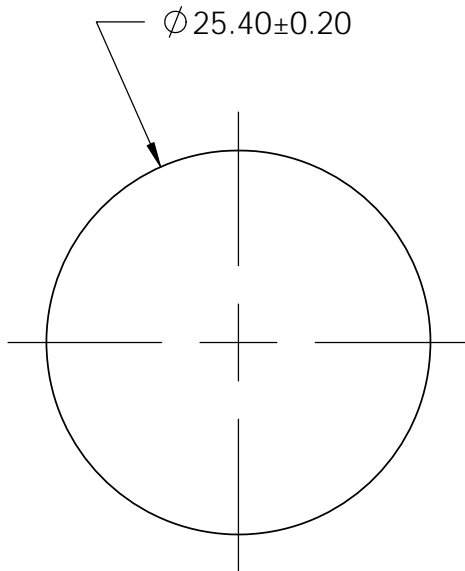
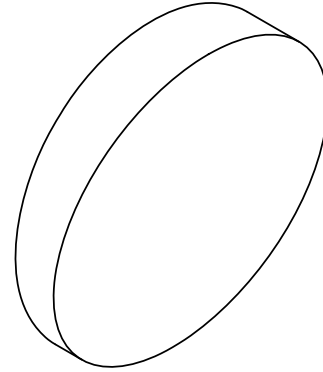


BOTH SIDES SHALL MEET THE BELOW OPTICAL SPECIFICATIONS

Irregularity:	1 Fringe
Power:	1 Fringe
Clear Aperture:	80%
Surface Quality:	80-50
Bevels:	.20mm to 1mm
Fringes measured @ 633nm	



PROPRIETARY

THE INFORMATION CONTAINED IN THIS DRAWING IS THE SOLE PROPERTY OF **M³ Measurement Solutions Inc.** ANY REPRODUCTION IN PART OR AS A WHOLE WITHOUT THE WRITTEN PERMISSION OF **M³ Measurement Solutions Inc.** IS PROHIBITED.

	NAME	DATE
DRAWN	ES	1/9/11
CHECKED		
ENG APPR.		
MFG APPR.		

DIMENSIONS ARE IN MILLIMETERS
 TOLERANCES:
 ANGULAR: $\pm .5^\circ$
 TWO PLACE DECIMAL $\pm .15$
 THREE PLACE DECIMAL $\pm .02$



M³ Measurement Solutions Inc.
 2048 aldergrove 'suite D'
 Escondido, CA 92029

TITLE: ROUND PRISM		
SIZE A	DWG. NO. M3 PRISM	REV. A
SCALE:2:1	WEIGHT:	SHEET 1 OF 1